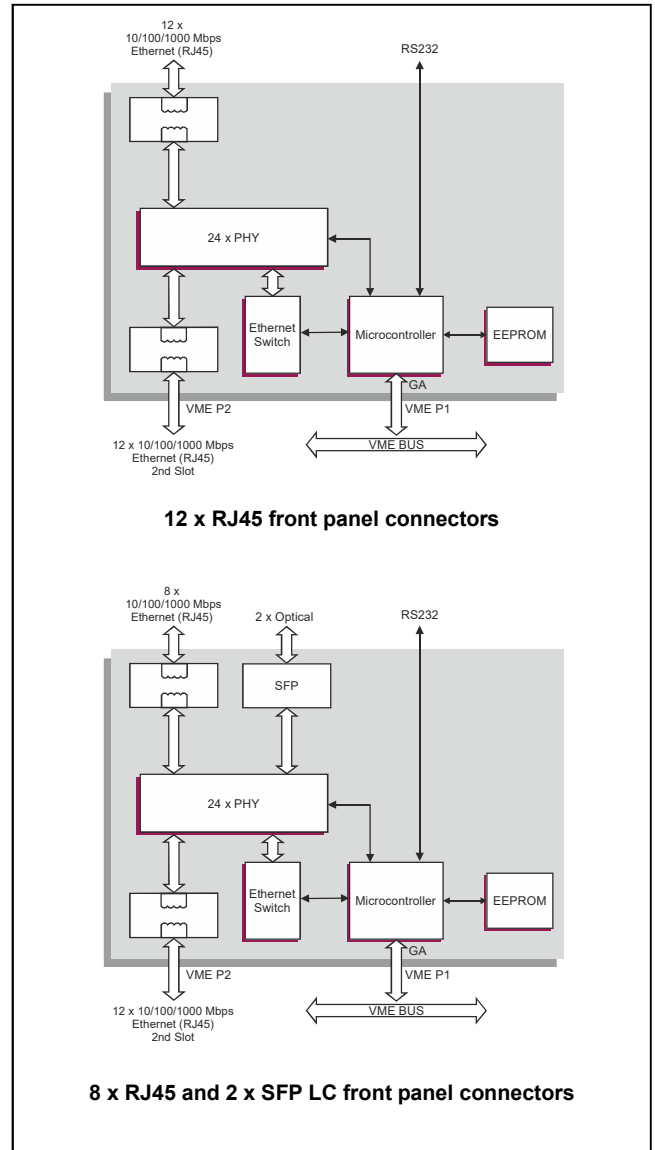
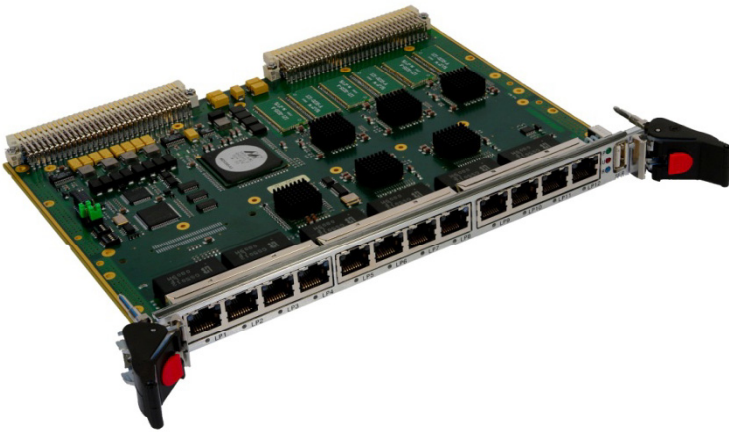


# 10/100/1000 Unmanaged Ethernet Switch Board

## Key Features

FP 210/024 is an entry-level Ethernet Switch Board for use in a standard VME backplane.

- Supports up to 12 Packet Switched Backplane boards at 10/100/1000Mbps Ethernet speeds
- Front panel options include:
  - 12 copper ports via RJ45 connectors
  - 8 copper ports via RJ45 connectors and 2 optical ports via SFP modules
- Non-blocking Layer 2 switching for wire-speed throughput
- Quality of Service (QoS) support
- Extended temperature versions available



## Ethernet Switched Fabric

- 24-port or 22-port 10/100/1000Mbps Ethernet switch board:
  - for use with VME64x compliant backplane and Rear transition module AD FP2/001
- high performance Ethernet Switch:
  - implemented by Marvell® Prestera® 98DX240 single-chip switch
  - full line rate Layer 2 switching engine
  - 8K MAC address cache with automatic learning and aging
- auto-negotiation on all ports:
  - 1000Mbps full-duplex
  - 10/100Mbps full-duplex and half-duplex

## Ethernet Interfaces

- option for front panel Ethernet user ports:
  - 12 x RJ45 connectors @ 10/100/1000Mbps
  - 8 x RJ45 connectors and 2 x SFP LC optical connectors @ 1000Base-SX with multimode optical fiber
- 12 x 10/100/1000Mbps Ethernet ports via P2
- Option to fit rear Ethernet magnetic interfaces onboard or on rear transition module
- 1 user LED
- 1 power indication LED
- reset switch (recessed)

## Switch Management

- controlled via operator command interface:
  - via front panel RS232 port (cable supplied)
  - configuration maintained in Flash EPROM
- Geographical Address (GA) available for slot position decoding

## Quality of Service (QoS)

- supports prioritized packet streams for management of voice, video and data
- 4 hardware priority queues per port
- fixed priority or weighted fair queuing
- QoS traffic classification, determined by:
  - port ID
  - IEEE 802.1p multimedia traffic tags
  - IPv6 Traffic Class

## Electrical Specification

- +5V (+5%/-3%) @ 3.5A (typical, with 12 x RJ45 front panel connectors)
- +5V (+5%/-3%) @ 3.0A (typical, with 8 x RJ45 and 2 fiber LC front panel connectors)
- +12V, +3.3V and -12V supplies are not required

## Safety

- PCB (PWB) manufactured with flammability rating of UL 94V-0

## Environmental Specification

- operating temperature:
  - 0°C to +55°C (N-Series)
  - -25°C to +70°C (E-Series)
  - -40°C to +85°C (K-Series)
- 5% to 95% Relative Humidity, non-condensing:
  - K-Series includes humidity sealant
- -40°C to +85°C (non-operating)
- ruggedized version:
  - conduction cooled (RC-Series)

## Mechanical Specification

- 6U form factor: 9.2 inches x 6.3 inches (233mm x 160mm)
- single slot: 0.8 inches (20.3mm)
- IEEE 1101.10 handles
- shock:
  - 20g, 11ms, □ sine (operating);
  - 30g, 11ms, □ sine (non-operating)
- vibration:
  - 5Hz-2000Hz at 2g, 0.38mm peak displacement (operating);
  - 5Hz-2000Hz at 5g, 0.76mm peak displacement (non-operating)